

Bishamon 40 *Years*

FULL PRODUCT BROCHURE





ABOUT BISHAMON

Since 1986, Bishamon Industries Corporation has been designing and manufacturing premium ergonomic material handling equipment trusted by manufacturers, warehouses, and distribution centers worldwide. Based in Ontario, California, Bishamon is recognized for solving real workplace challenges through thoughtful engineering, durable construction, and a relentless focus on safety and performance.

From the industry-changing EZ Loader® to today's comprehensive lineup of pallet handling, work positioning, and mobile handling solutions, every Bishamon product is designed to reduce strain, improve productivity, and perform reliably in demanding environments. Our equipment is built with a commitment to operator safety, structural integrity, and long service life, delivering measurable value well beyond initial cost.

Backed by application expertise, responsive support, and proven reliability, Bishamon helps customers make smarter equipment decisions while giving dealers a brand they can confidently stand behind. Our goal is simple: create solutions that work harder, last longer, and make material handling safer and more efficient today and for years to come.

ENGINEERED TO SOLVE.

BUILT TO PERFORM.

TRUSTED TO LAST.

WHY CHOOSE BISHAMON

ENGINEERED PROBLEM SOLVERS

Designed to solve real ergonomic and workflow challenges, not just move loads.

PROVEN QUALITY & DURABILITY

Built to perform reliably in demanding industrial environments, day after day.

SAFETY-DRIVEN DESIGN

Ergonomic features that reduce strain, improve operator safety, and support compliance.

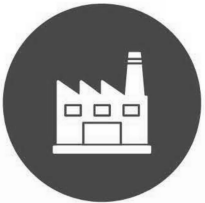
BUILT FOR LONG-TERM VALUE

Performance and longevity with minimal maintenance.

PEOPLE YOU CAN RELY ON

Knowledgeable, responsive support that dealers and end users trust.

INDUSTRIES SERVED



Bishamon solutions are trusted across a wide range of industries where safety, productivity, and reliability matter most. Our equipment is designed to perform in demanding environments while supporting ergonomic best practices and long-term operational efficiency.

- Manufacturing
- Warehousing & Distribution
- Food & Beverage
- Pharmaceutical & Healthcare
- Packaging
- Logistics & Fulfillment
- Retail
- Government & Institutional Facilities
- and more!

Wherever material handling challenges exist, Bishamon delivers engineered solutions that work.

EXPLORE OUR SOLUTIONS



PALLET HANDLING

pg.1

- EZ Loader®
- EZ-Off™ Lifter
- UniLift®



WORK POSITIONING

pg.3

- Alpha® Lift Series
- Lo-Profile™ LX-Series
- CompacLift™ X-Series
- EZ Up®



MOBILE HANDLING

pg.5

- MobiLift™ BX-Series
- SkidLift™ LV-Series
- EZ-Mover Blue Label™ Pallet Jacks
- MobiLeveler™ ESX-Series



RESOURCES

pg.7

- Videos
- Literature & Specifications
- Additional Support



PALLET HANDLING

LIFT SMARTER. WORK SAFER. PERFORM BETTER.

Pallet handling is one of the most repetitive and physically demanding tasks in industrial operations. From loading and unloading to building and breaking down pallets, inefficient load positioning can slow throughput, increase fatigue, and elevate the risk of injury.

Bishamon's pallet handling solutions are engineered to maintain optimal working height, reduce unnecessary bending and reaching, and provide consistent, controlled load positioning throughout the palletizing process. By improving how materials are accessed and handled, these systems help facilities increase efficiency while protecting operator well-being.

Designed for real-world industrial environments, our pallet handling equipment integrates seamlessly into existing workflows without requiring major process changes. The result is safer motion, improved productivity, and long-term performance you can rely on.

KEY ADVANTAGES

- Maintain consistent working height during pallet build-up and breakdown.
- Reduce repetitive strain and unnecessary operator movement.
- Improve palletizing speed, control, and overall workflow efficiency.
- Support safer, more ergonomic operations in high-use environments.

BISHAMON LINEUP

EZ LOADER[®] ✦ EZ OFF[™] LIFTER ✦ UNILIFT[®]



PALLET HANDLING

EZ LOADER®

AUTOMATIC PALLET POSITIONER



- Capacity Range: 250 lbs. to 3,500 lbs.
- Industry pioneer in self-leveling palletizing that reduces bending, reaching, and fatigue.
- Automatically maintains optimal working height.
- Patented EZ-Adjust™ Knob allows fast capacity changes without air pressure adjustments.
- Integral rotator ring brings the load to the operator for efficient, controlled motion.
- Smooth pneumatic operation engineered for consistent performance and longevity.
- Available in multiple configurations, including stainless steel for demanding environments.

EZ OFF™ LIFTER

FLOOR LEVEL PALLET POSITIONER

- Capacity up to 2,500 lbs.
- Floor-level pallet positioning with pallet truck access. No forklift required!
- Low-profile design with ramp access reduces push force and strain.
- Rotating platform minimizes walking and repositioning during load handling.
- Electric-hydraulic operation provides smooth, dependable control.
- Multiple models available to accommodate different layouts and installation needs.

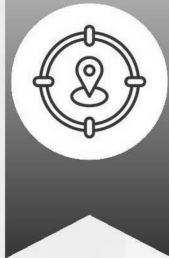


UNILIFT®

PALLET LIFTER AND TRANSPORTER



- Capacity Range: 1,700 lbs. to 2,000 lbs.
- All-in-one pallet transport and positioning solution. Move and lift with one piece of equipment.
- Handles and steers like a standard pallet jack.
- Patented deployable outriggers eliminate straddle legs, trip hazards, and wasted floor space.
- Compatible with standard open- and closed-bottom pallets, including GMA and CHEP.
- Raises loads to an ergonomic working height, reducing operator fatigue and injury.
- Multi-roller fork entry system allows smooth pallet entry and exit.
- Efficient 24 VDC battery-powered lift system supports consistent daily use.



WORK POSITIONING

PRECISE HEIGHT. STABLE PERFORMANCE. SAFER MOTION.

In high-use industrial environments, a consistent working height is critical to maintaining productivity and reducing fatigue. When materials are positioned correctly, processes become more controlled, output becomes more consistent, and operator strain is minimized.

Bishamon's work positioning solutions are engineered to elevate loads to the ideal operating height, supporting stable, precise handling across assembly, packaging, inspection, and manufacturing applications. Designed for structural integrity and dependable lift performance, these systems help create safer, more efficient workflows that perform reliably shift after shift.

KEY ADVANTAGES

- Maintain a consistent working height throughout the task.
- Improve process control and repeatability.
- Reduce bending, reaching, and operator fatigue.
- Support stable, high-cycle industrial applications.
- Enhance safety without disrupting existing workflows.

BISHAMON LINEUP

ALPHA[®] ✦ **LO-PROFILE[™]** ✦ **COMPACLIFT[™]** ✦ **EZ UP[®]**
LX-SERIES **X-SERIES**



WORK POSITIONING



ALPHA® LIFT SERIES

HYDRAULIC WORK POSITIONERS

- Capacity Range: 2,200 lbs. to 6,600 lbs.
- Designed for high-cycle, demanding industrial environments where performance and safety are critical.
- ANSI MH29.1:2020 compliant, providing confidence for safety-focused operations.
- Engineered with comprehensive fatigue, life-cycle, and performance testing.
- Available in multiple capacities and platform configurations, including optional rotating turntables.
- Continuous roller axles ensure smooth, stable lifting and consistent movement over time.

LO-PROFILE™ LX-SERIES

LOW PROFILE WORK POSITIONERS

- Capacity Range: 550 lbs. to 4,400 lbs.
- Ultra-low collapsed height allows direct pallet jack, cart, or conveyor access.
- Delivers full lifting power without pits, ramps, or floor modifications.
- Ideal for transfer applications where loads need to stay close to floor level.
- Wide range of platform sizes and capacities to match existing workflows.
- Proven hydraulic design built for daily industrial use.



COMPACLIFT™ X-SERIES

COMPACT WORK POSITIONERS

- Capacity Range: 440 lbs. to 1,650 lbs.
- Space-saving design for confined or equipment-dense areas.
- Well-suited for machine tools, production lines, and cell-based manufacturing.
- Multiple power options allow users to balance cost and control.
- Durable steel construction provides reliable positioning.
- Designed to improve ergonomics without increasing footprint.

EZ UP® EZU-SERIES

PNEUMATIC WORK POSITIONERS

- Capacity Range: 1,500 lbs. to 1,700 lbs.
- Powered by shop air, with no electrical or hydraulic components.
- Clean, simple design ideal for clean rooms, paint areas, and sensitive environments.
- Provides intuitive operator control for quick, on-demand positioning.
- Available with fixed or rotating platforms for ergonomic access.
- Low-maintenance solution where simplicity and cleanliness are priorities.





MOBILE HANDLING

LIFT. MOVE. POSITION. REPEAT.

In fast-paced industrial environments, flexibility is essential. Materials must move efficiently between processes while remaining stable, controlled, and easy to position.

Bishamon's mobile handling solutions combine maneuverability with dependable lift performance, allowing operators to transport, elevate, and position loads wherever the work demands. Engineered for smooth rolling, controlled movement, and confident handling, these products support efficient material flow while maintaining safety and operational reliability throughout the facility.

KEY ADVANTAGES

- Combine transport and lift in a single solution.
- Improve workflow flexibility across departments.
- Maintain load control during movement and positioning.
- Support safer handling in dynamic environments.
- Reduce equipment redundancy and process bottlenecks.

BISHAMON LINEUP

MOBILIFT™
BX-SERIES

SKIDLIFT™
LV-SERIES

BLUE LABEL™
PALLET JACKS

MOBILEVELER™
ESX-SERIES



MOBILE HANDLING

MOBILIFT™ BX-SERIES

MOBILE WORK POSITIONER

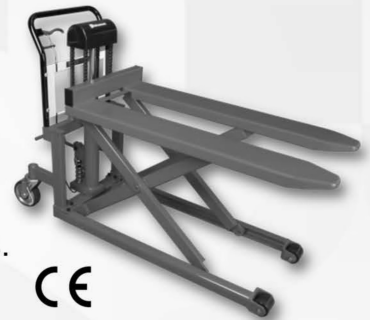


- Capacity Range: 220 lbs. to 1,760 lbs.
- Improves productivity by placing materials at an ergonomic, convenient working height, then rolling easily to the next task.
- Available with manual or battery-powered lifting.
- Double-scissor models support higher lift without increasing footprint.
- Rugged construction and premium hydraulics designed for daily industrial use
- Stainless steel models available for washdown or corrosive environments.

SKIDLIFT™ LV-SERIES

SKID LIFTS

- Capacity Range: 1,000 lbs. to 2,200 lbs.
- Designed specifically for open-bottom skids and euro-style pallets.
- Combines lifting and short-distance transport.
- Raises loads to an ergonomic height while maintaining easy access.
- Ideal for machine tools, assembly stations, and production workflows.
- Available with manual or battery-powered lift for flexible operation.
- Optional tabletop converts forks into a stable work surface.



EZ-MOVER BLUE LABEL™

PALLET JACKS



- Capacity Range: 2,500 lbs. to 6,500 lbs.
- Premium pallet trucks built for exceptional rollability and operator control.
- Designed to outlast competitive models through high-quality components and construction.
- Wide range of configurations supports diverse pallet sizes and environments.
- Completely rebuildable hydraulic system delivers long-term value.
- Proven reliability in warehouses, production floors, cold storage, and loading docks.

MOBILEVELER™ ESX-SERIES

SELF-LEVELING MOBILE CART

- Capacity Range: 66 lbs. to 880 lbs.
- Automatically maintains an optimal working height.
- Spring-actuated self-leveling design requires no power source.
- Gauged adjustment knob allows fast setup for different loads.
- Compact, mobile solution ideal for order picking and light assembly.
- Clean, low-maintenance design built for consistent daily use.





RESOURCES

Selecting the right material handling solution is just the beginning. Bishamon provides the tools, documentation, and expertise needed to support evaluation, installation, and long-term performance. Whether you're researching a product, reviewing specifications, or planning a custom application, our team is here to help.

PRODUCT VIDEOS *SEE BISHAMON EQUIPMENT IN ACTION*

Scan the QR code to access our video page:



LITERATURE & SPECIFICATIONS

Scan the QR code below to access our literature page:



ADDITIONAL SUPPORT

Have a unique application? Let's solve it together.

We can assist with:

- Application review and equipment selection
- Integration with existing workflows
- CAD drawings and dimensional support
- and more!

Our goal is to ensure every solution performs safely, efficiently, and reliably in your specific environment.

Contact us at: (800) 358-8833 | bishamonsupport@bishamon.com

CELEBRATING

40
Years

Bishamon[®]

CONTACT US

2817 East Cedar Street, Suite 100
Ontario, California 91761

US & Canada: (800) 358-8833
Outside US/CN: (909) 390-0055

www.bishamon.com

PROUD MEMBER OF

X LIFT
MANUFACTURERS

powered by  MHI

Lifting the Future, One Innovation at a Time.